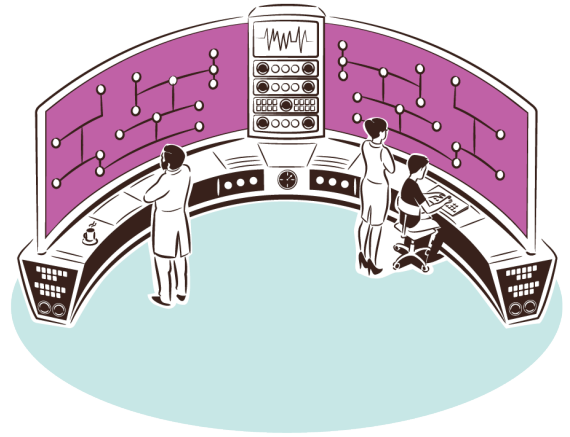


# F5 SSL Orchestrator

## Gain visibility into your encrypted traffic



Maximize infrastructure investments, efficiencies, and security with dynamic, policy-based decryption, encryption, and traffic steering through multiple inspection devices.

**USE case:**

**Customer requirement:**

Customer A required upgrade of old network firewalls to new NGFW firewalls with URL filtering and IPS features. In the case of encrypted communication, firewalls need to be able to decrypt, inspect and re-encrypt the traffic.

**PROBLEM:**

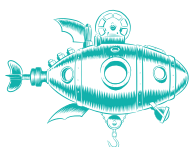
Many vendors support SSL/TLS decryption but at a cost of significantly lower performance. Vendor recommended solution was to use appliances with 50Gbps thrupt to reach 20Gbps thrupt with decryption enabled.

**SOLUTION:**

F5 SSL orchestrator utilizes dedicated HW accelerators for SSL/TLS operations and depending on model can provide up to 600Gbps decryption performance.



In final solution, SSL Orchestrator decrypts/encrypts TLS traffic and Next-Gen Firewalls inspect the traffic and enforce security policies. By using SSLO customer saved approx. 30% of total cost compared to vendor recommended solution.



**Trust the Strong**

ALEF DISTRIBUTION GR M.I.K.E. | A-office Building  
 Astronafton 1, 151 25 Amarousion | GREECE  
 gr-sales@alef.com | www.alef.com/gr



## Benefits of F5 SSL Orchestrator:



- HW accelerated SSL/TLS
- Can be used for forward (client) traffic and reverse (published services) traffic as well
- Supports L3 (routed) and L2 (transparent) modes
- Dynamic service chaining allows definition of granular policies
- Parallelization of services and classification decrease traffic latency

## Benefits of using SSLO with 3<sup>rd</sup> party security solutions:

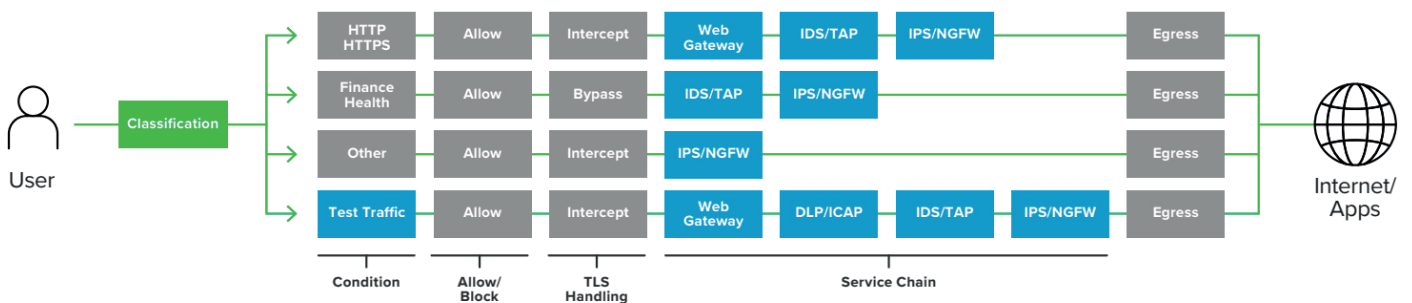
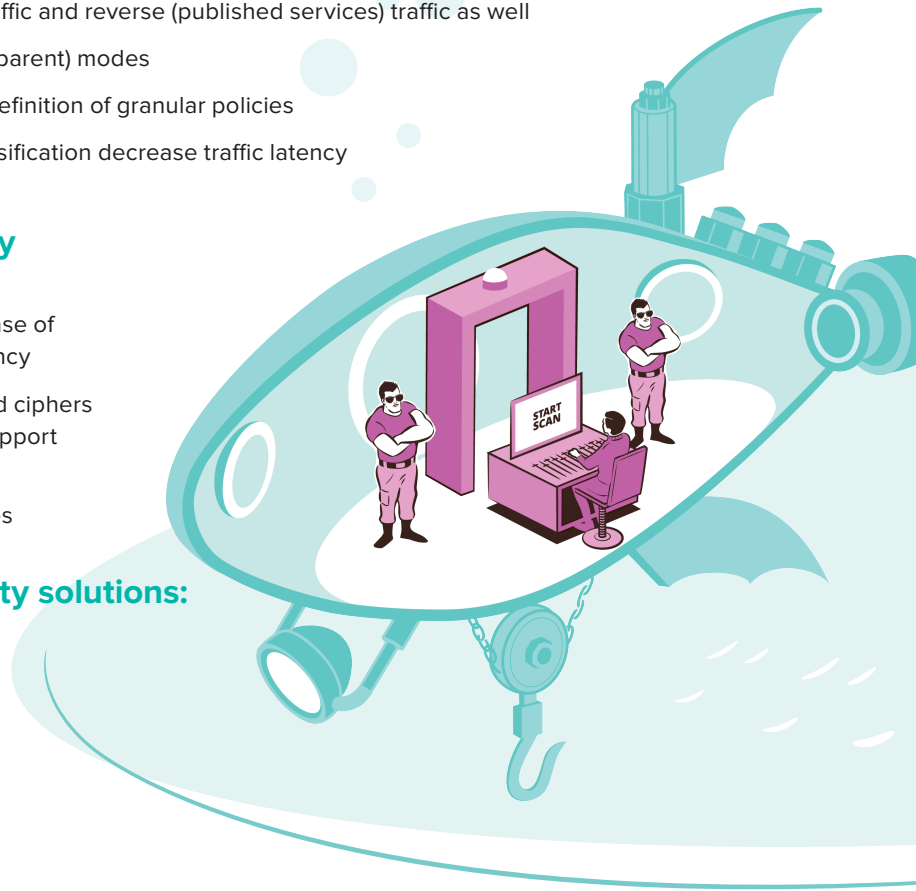


- No need to decrypt traffic -> increase of performance and decrease of latency
- Support of latest TLS protocols and ciphers even for solutions that does not support SSL/TLS decryption at all
- Support hardware security modules

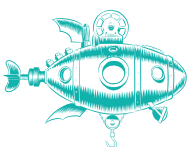
## SSLO supports wide range of security solutions:



- Next-Gen Firewalls
- IPS/IDS
- Malware Protection
- Secure Web Gateways
- Data Loss Prevention
- Generic L2/L3 services



With SSLO you will gain visibility into and orchestration of encrypted traffic, what are keys to encrypted threat protection. Malware already mastered encryption. Did you?



### Trust the Strong

ALEF DISTRIBUTION GR M.I.K.E. | A-office Building  
Astronafton 1, 151 25 Amarousion | GREECE  
gr-sales@alef.com | www.alef.com/gr

